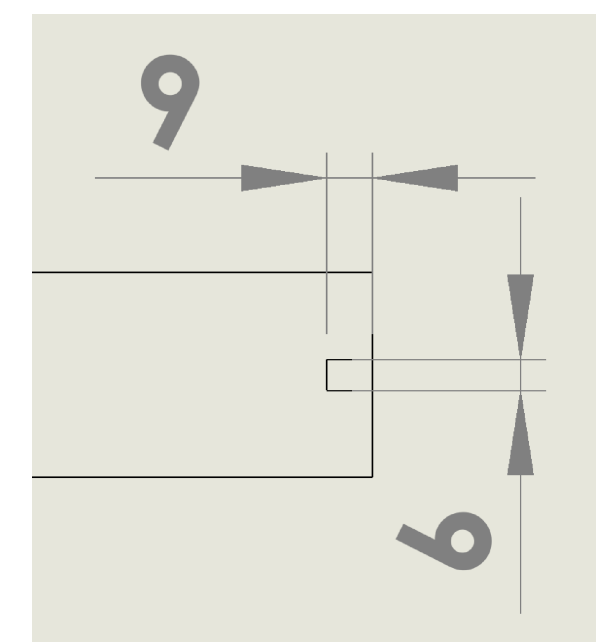
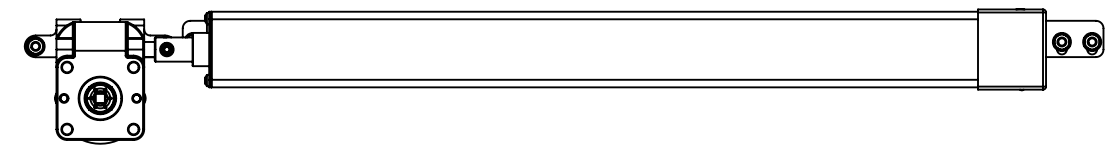
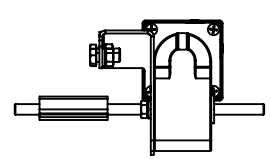
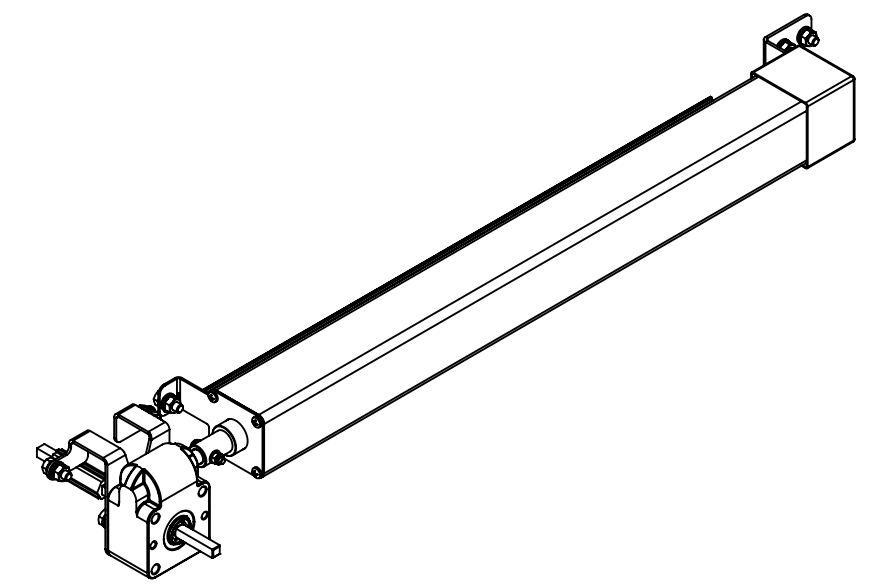
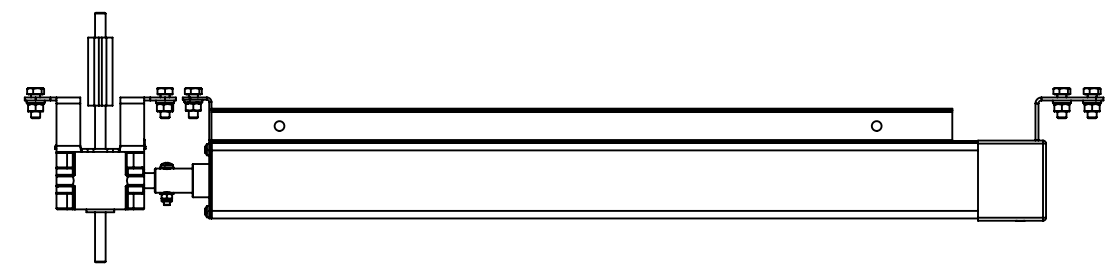


Slot for Somfy Motor



Slot for Becker Motor

80 470 00 ii	Exterior Motor ki for 7:1 Gearbox; 80 mm HD & 98 mm Box Rack Arm	Mill
80 470 01 ii	Exterior Motor ki for 7:1 Gearbox; 80 mm HD & 98 mm Box Rack Arm	Nat. anod.
80 470 03 ii	Exterior Motor ki for 7:1 Gearbox; 80 mm HD & 98 mm Box Rack Arm	RAI 9010
80 470 06 ii	Exterior Motor ki for 7:1 Gearbox; 80 mm HD & 98 mm Box Rack Arm	RAI 9005
80 470 99 ii	Exterior Motor ki for 7:1 Gearbox; 80 mm HD & 98 mm Box Rack Arm	RAL t.b.d.

ii = 11	Motor tube lg=515 mm/ Motor hood lg=545 for Simu/Somfy hard wired
ii = 22	Motor tube lg=550 mm/ Motor hood lg=580 for Simu/Somfy IO/RTS
ii = 33	Motor tube & Motor hood length at request for Somfy project motors
ii = 44	Motor tube lg=580 mm/ Motor hood lg=605 for Becker hard wired
ii = 55	Motor tube lg=550 mm/ Motor hood lg=580 for Becker Centronic/SMI

Part Description	Exterior Motor kit for 7:1; 80 mm HD & 98 mm Box Rack Arm		
Material			
Date	26-11-2020		
Scale	1:5		
Dimensions	in mm		
<small>©This drawing is the sole property of Sunshield and shall not be copied, duplicated, transmitted or used in any manner without written consent of Sunshield</small>	www.sunshieldglobal.com	REV: 03	DRAWING NUMBER
		80 470	SHEET SIZE
		1:1	A3