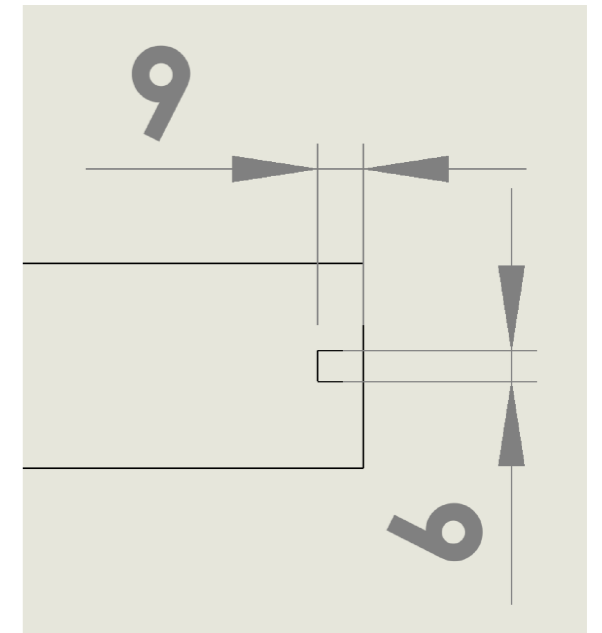
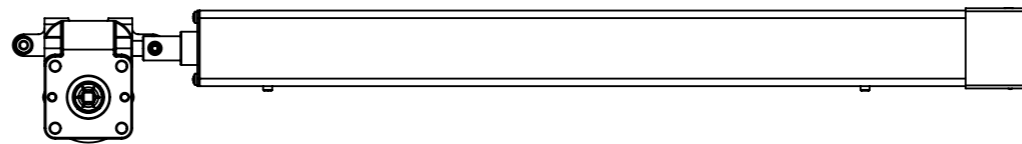
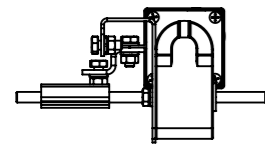
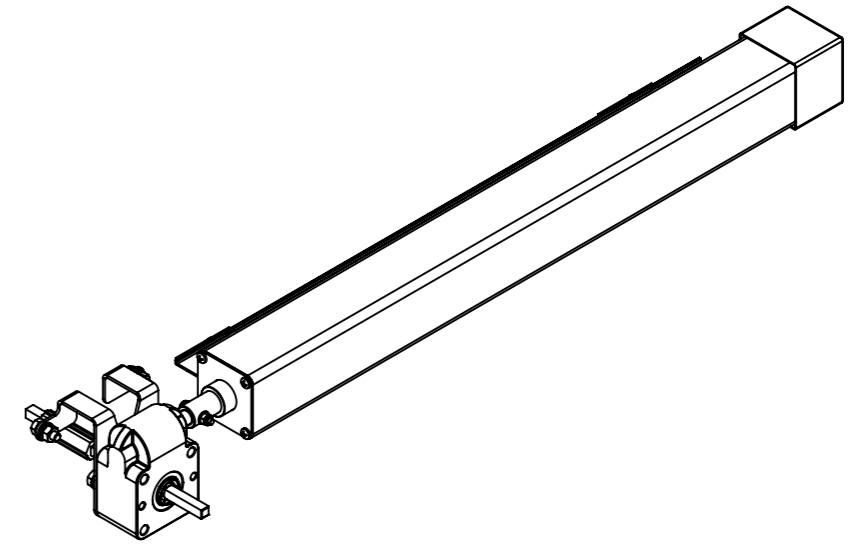
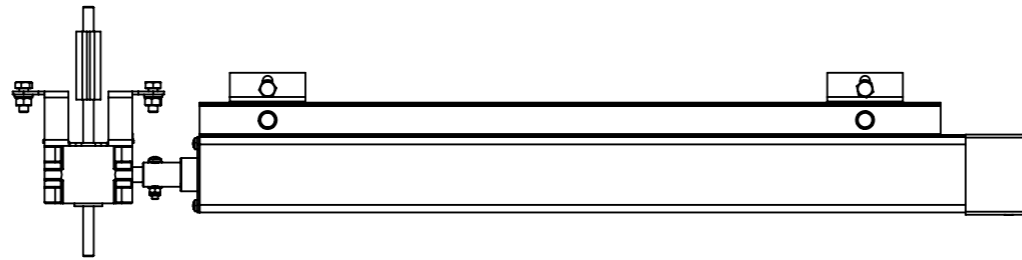


Slot for Somfy Motor



Slot for Becker Motor

58 957 00 ii	Exterior Motor ki for 7:1 Gearbox; 35 mm Rack Arm	Mill
58 957 01 ii	Exterior Motor ki for 7:1 Gearbox; 35 mm Rack Arm	Nat. anod.
58 957 03 ii	Exterior Motor ki for 7:1 Gearbox; 35 mm Rack Arm	RAI 9010
58 957 06 ii	Exterior Motor ki for 7:1 Gearbox; 35 mm Rack Arm	RAI 9005
58 957 99 ii	Exterior Motor ki for 7:1 Gearbox; 35 mm Rack Arm	RAL t.b.d.

ii = 11	Motor tube lg=515 mm/ Motor hood lg=545 for Simu/Somfy hard wired
ii = 22	Motor tube lg=550 mm/ Motor hood lg=580 for Simu/Somfy IO/RTS
ii = 33	Motor tube & Motor hood length at request for Somfy project motors
ii = 44	Motor tube lg=580 mm/ Motor hood lg=605 for Becker hard wired
ii = 55	Motor tube lg=550 mm/ Motor hood lg=580 for Becker Centronic/SMI

Part Description	Exterior Motor kit for 7:1; 35 mm Rack Arm		
Material			
Date	26-11-2020		
Scale	1:5		
Dimensions	in mm		
<small>©This drawing is the sole property of Sunshield and shall not be copied, duplicated, transmitted or used in any manner without written consent of Sunshield</small>	www.sunshieldglobal.com	REV: 02	DRAWING NUMBER
			58 957
		SHEET	SIZE
		1:1	A3