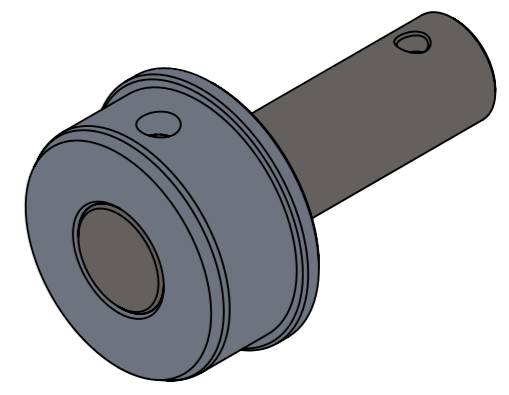
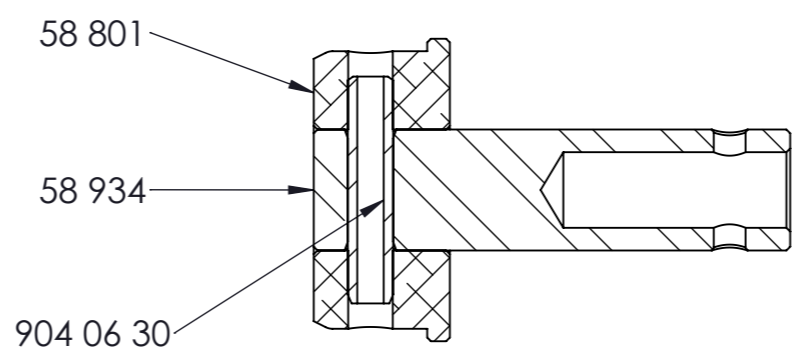
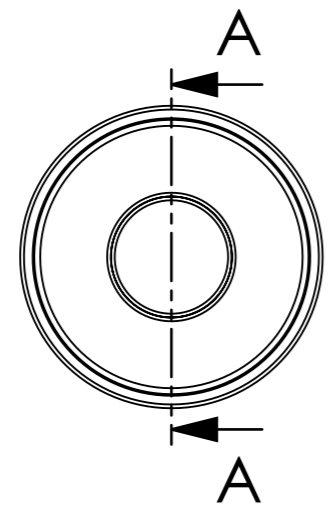


SECTION A-A



Part Description	Motor Plug 7:1 Assy (Plug Ø40 & Steel Shaft Ø 16/10)			
Material				
Date	18-11-2020			
Scale	1:1			
Dimensions	in mm			
<small>©This drawing is the sole property of Sunshield and shall not be copied, duplicated, transmitted or used in any manner without written consent of Sunshield</small>	www.sunshieldglobal.com		REV: 08	DRAWING NUMBER
				58 934
		US PROJECTION	SHEET	SIZE
			1:1	A3
			SUNSHIELD UNIQUE LOUVERS	

QTY.	PART NR	DESCRIPTION
1	58 801	Motor Plug ø40
1	58 806	Motor Steel Shaft for 7:1 & 13:1 (Ø16/10)
1	904	DIN 1481 Spring Type Straight Pin Slotted Heavy Type 6x30