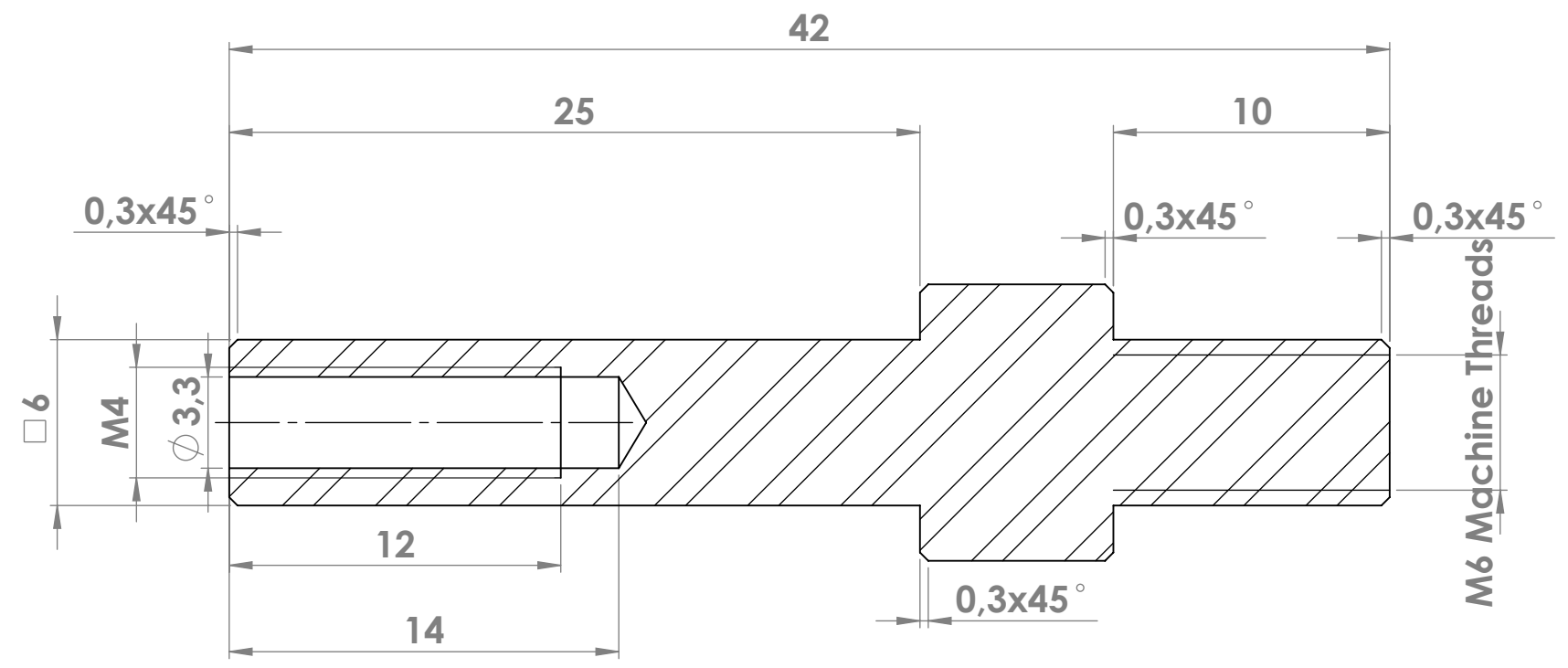


SECTION A-A



Part Description	Turning Handle - Gearboxshaft (4:1/6:1) (sq 6,lg=42mm)		
Material	AISI 304		
Date	17-11-2020		
Scale	4:1		
Dimensions	in mm		
<small>©This drawing is the sole property of Sunshield and shall not be copied, duplicated, transmitted or used in any manner without written consent of Sunshield</small>	www.sunshieldglobal.com	REV:	DRAWING NUMBER
			58 853
		SHEET	SIZE
		1:1	A3