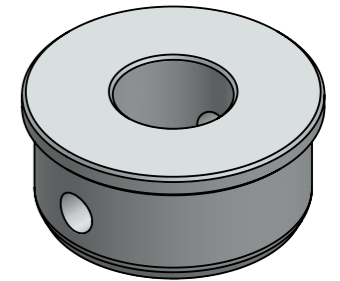
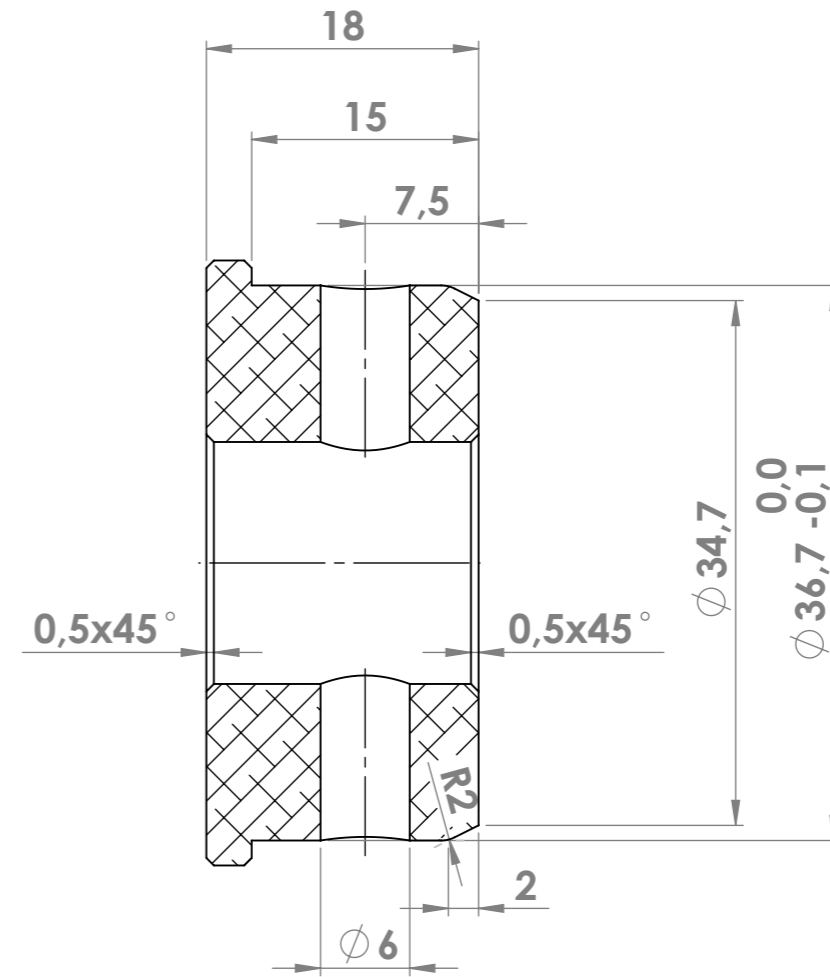


SECTION A-A



Part Description	Motor Plug ø40		
Material	Aluminium		
Date	19-11-2020		
Scale	2:1		
Dimensions	in mm		
<small>©This drawing is the sole property of Sunshield and shall not be copied, duplicated, transmitted or used in any manner without written consent of Sunshield</small>	www.sunshieldglobal.com	REV: 08	DRAWING NUMBER
		US PROJECTION	58 801
		SHEET	SIZE
		1:1	A3
SUNSHIELD UNIQUE LOUVERS			