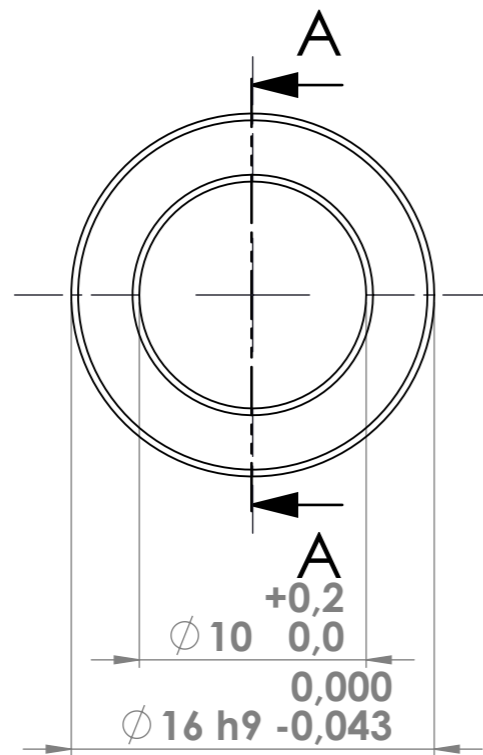
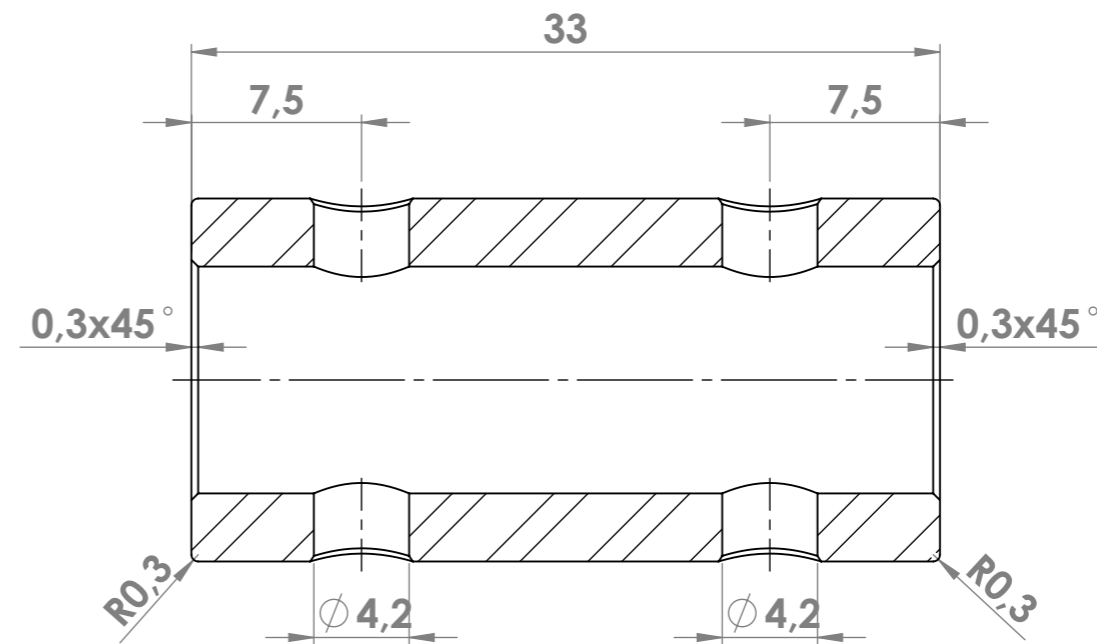


SECTION A-A



Part Description	Shaft Coupler Ø16x33 mm (10 mm Int.)		
Material	AISI 304		
Date	16-11-2020		
Scale	3:1		
Dimensions	in mm		
<small>©This drawing is the sole property of Sunshield and shall not be copied, duplicated, transmitted or used in any manner without written consent of Sunshield</small>	<a href="http://www.sunshieldglobal.com">www.sunshieldglobal.com</a>	REV:	DRAWING NUMBER
			58 789
		SHEET	SIZE
		1:1	A3