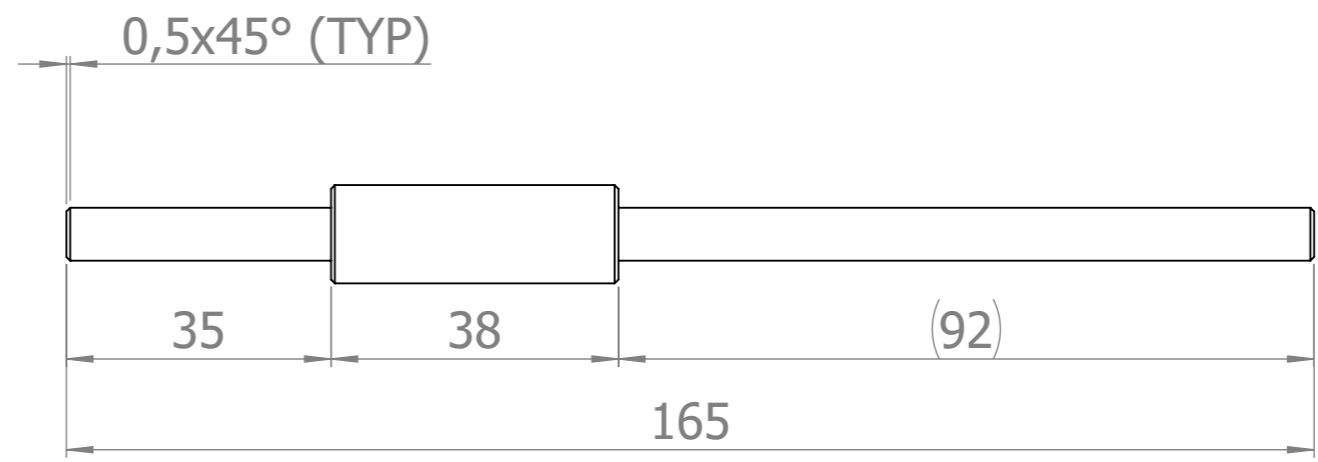
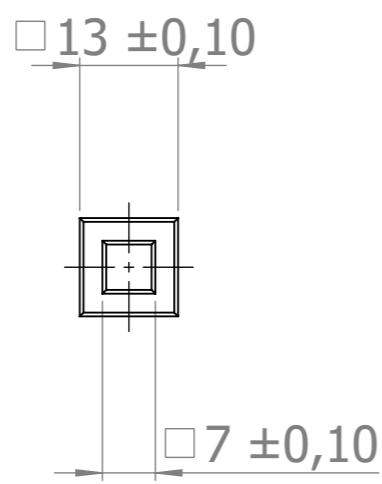
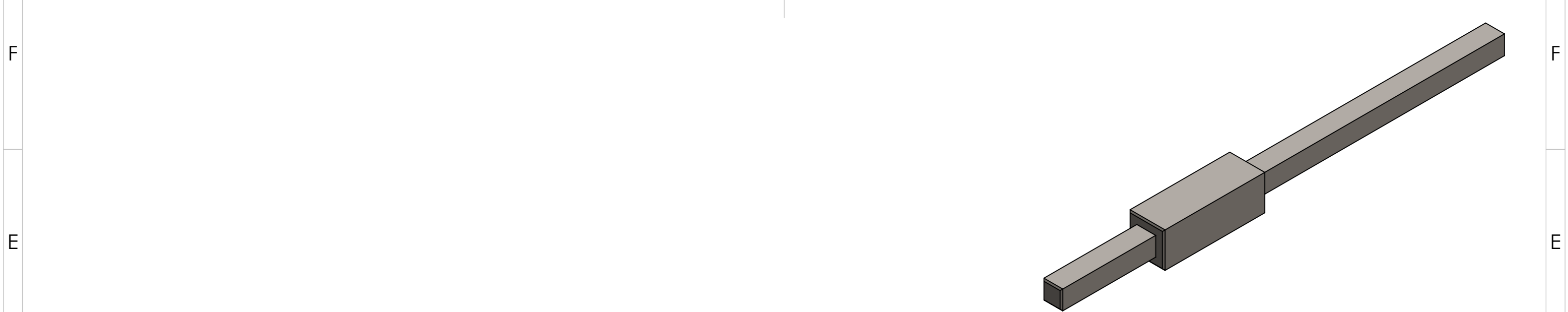


8 7 6 5 4 3 2 1



F
E
D
C
B
A

F
E
D
C
B
A

General Tolerance Table										
Linear										
Designation	Description	over	over	over	over	over	over	over	over	over
		0	3	6	30	120	400	1000	2000	4000
		to	to	to	to	to	to	to	to	to
Medium	Medium	0.1	0.1	0.2	0.3	0.5	0.8	1.2	2	2
Broken Edge										
Designation	Description	over	over	over						
		0	3	6						
		to	to	to						
Medium	Medium	0.2	0.5	1						

Angular										
Designation	Description	over	over	over	over	over				
		0	10	50	120	400				
		to	to	to	to	to				
Medium	Medium	1°	0.5°	0.33°	0.17°	0.08°				

Part Description	Shaft Gearbox 7:1, sq7/sq13/sq7 (lg=165 mm)										
Material	AISI 304										
Date	18-11-2020										
Scale	1:1										
Dimensions	in mm										
<small>©This drawing is the sole property of Sunshield and shall not be copied, duplicated, transmitted or used in any manner without written consent of Sunshield</small>	www.sunshieldglobal.com							REV: 08	DRAWING NUMBER	SHEET	SIZE
									58 773	1:1	A3

8 7 6 5 4 3 2 1