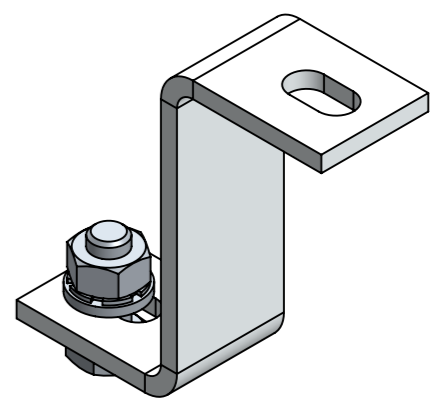
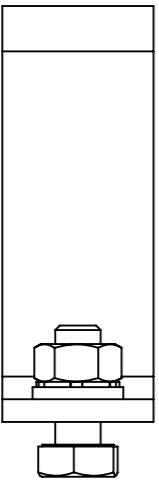




58 704
 910 06
 911 06
 908 06
 901 06 16
 55



Part Description	Z-support (kit), 30x55x30 mm, lg=20mm		
Material	Aluminium		
Date	12-11-2020		
Scale	1:1		
Dimensions	in mm		
<small>©This drawing is the sole property of Sunshield and shall not be copied, duplicated, transmitted or used in any manner without written consent of Sunshield</small>	www.sunshieldglobal.com		REV: 01
			DRAWING NUMBER 58 706
		SHEET 1:1	SIZE A3

QTY.	PART NR	DESCRIPTION
1	58 704	Z-support, 30x55x30 mm, lg=20mm
1	908	DIN 125-1A Plain Washer M6
1	910	DIN 934 Hexagon Nut M6
1	911	DIN 6798-A Lock washer M6
1	901	DIN 933 Hexagon Head Bolt M6x16