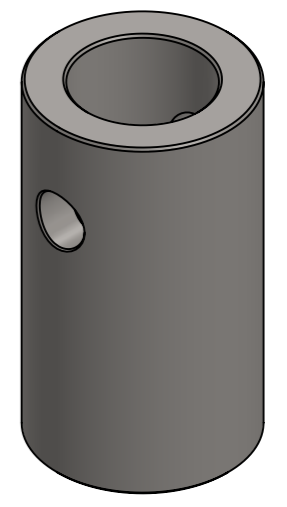




SECTION A-A



Part Description	Turning Handle Coupler Ø16 x 28 mm (Ø10mm int.) to Gearbox 7:1 and 13:1			
Material	AISI 304			
Date	17-11-2020			
Scale	2:1			
Dimensions	in mm			
<small>©This drawing is the sole property of Sunshield and shall not be copied, duplicated, transmitted or used in any manner without written consent of Sunshield</small>	www.sunshieldglobal.com	REV: 01	DRAWING NUMBER	SHEET
			21 799	1:1
				
			SIZE	A3